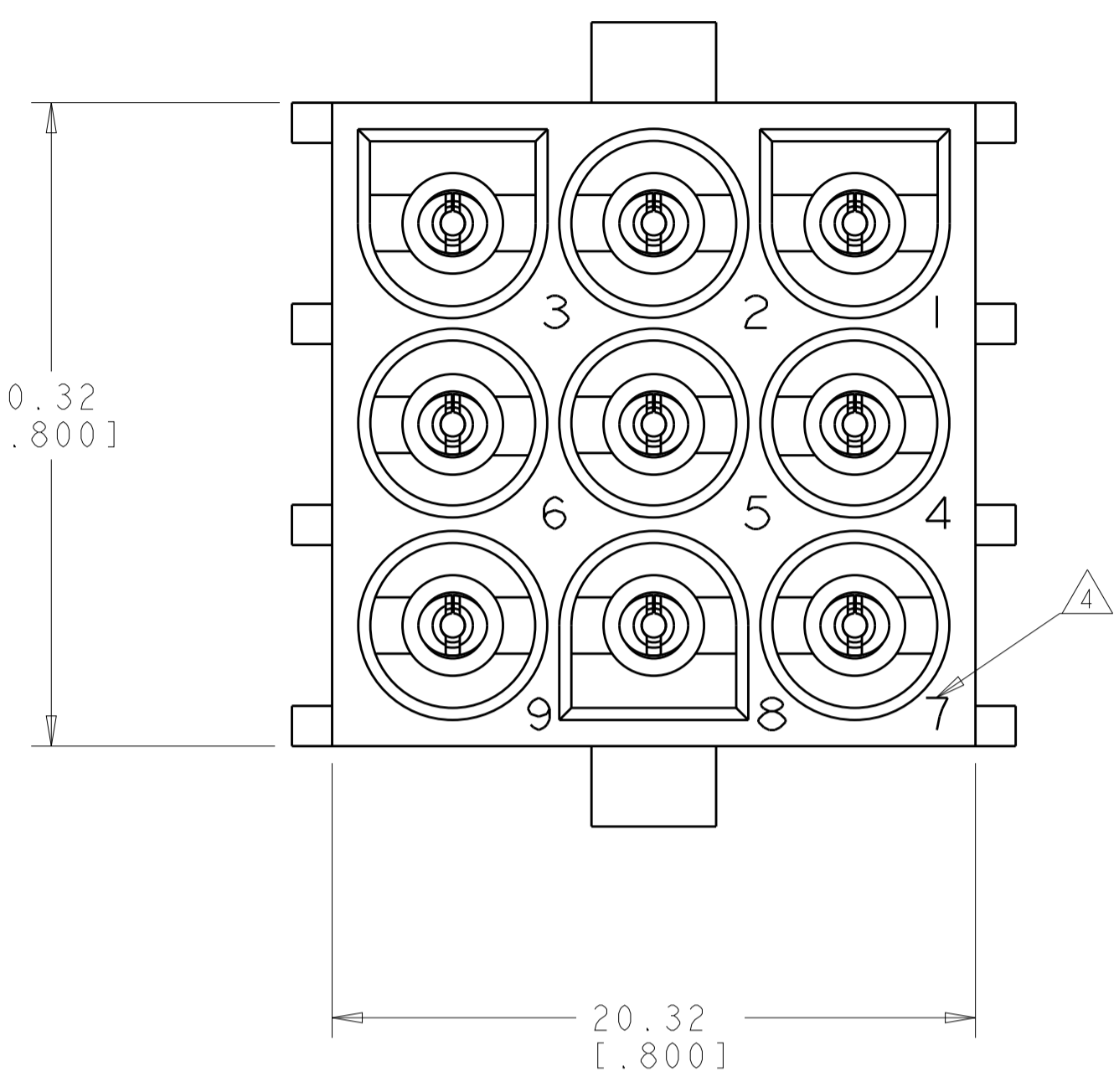
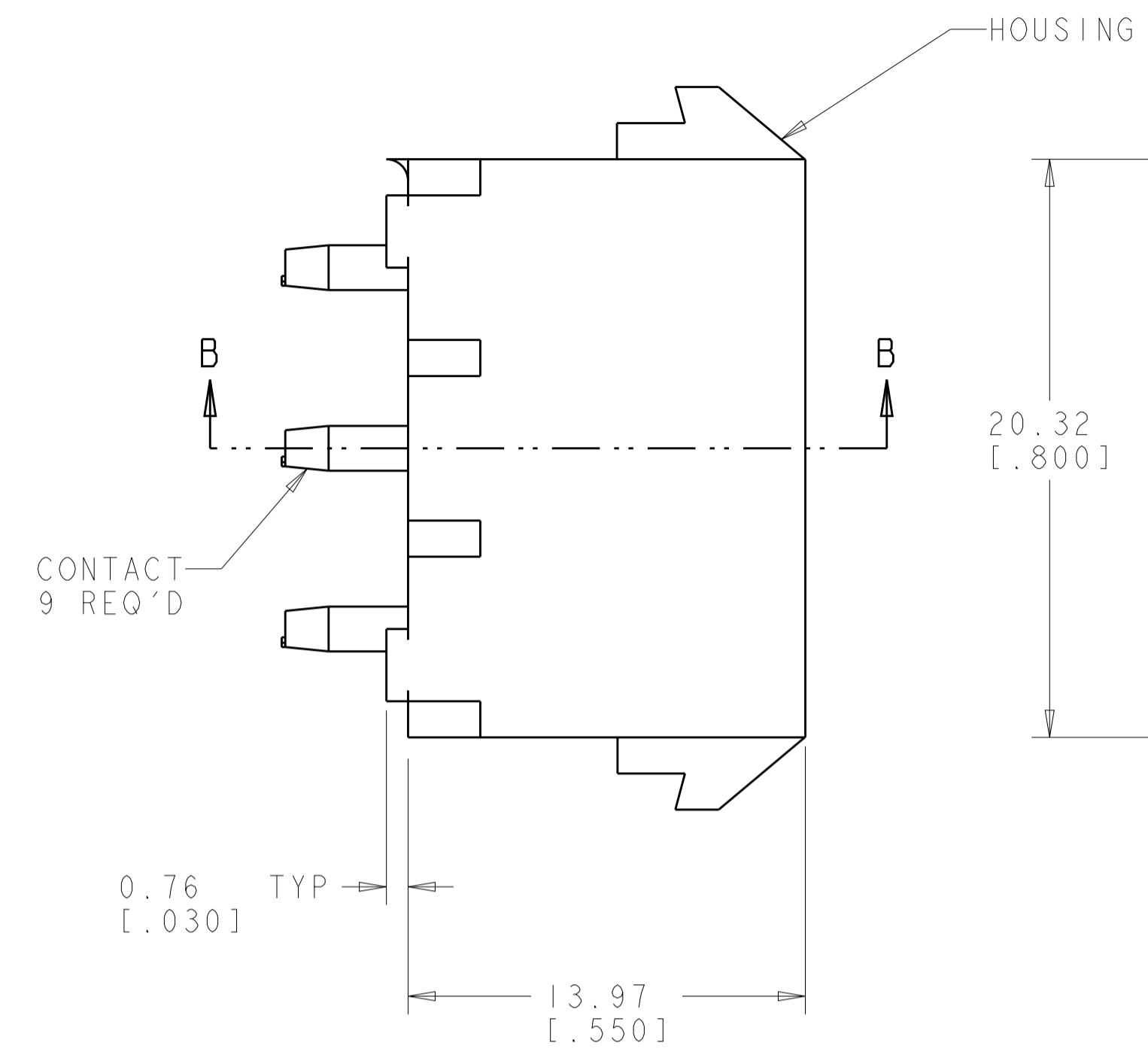
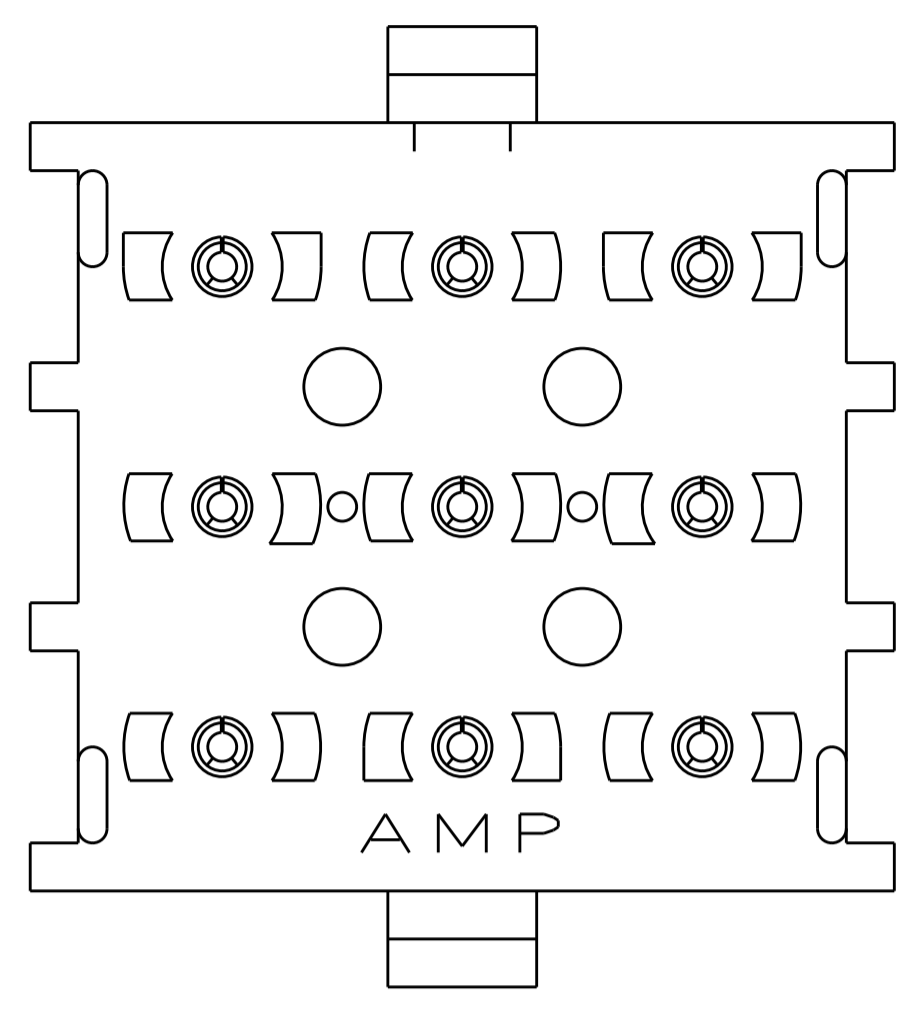
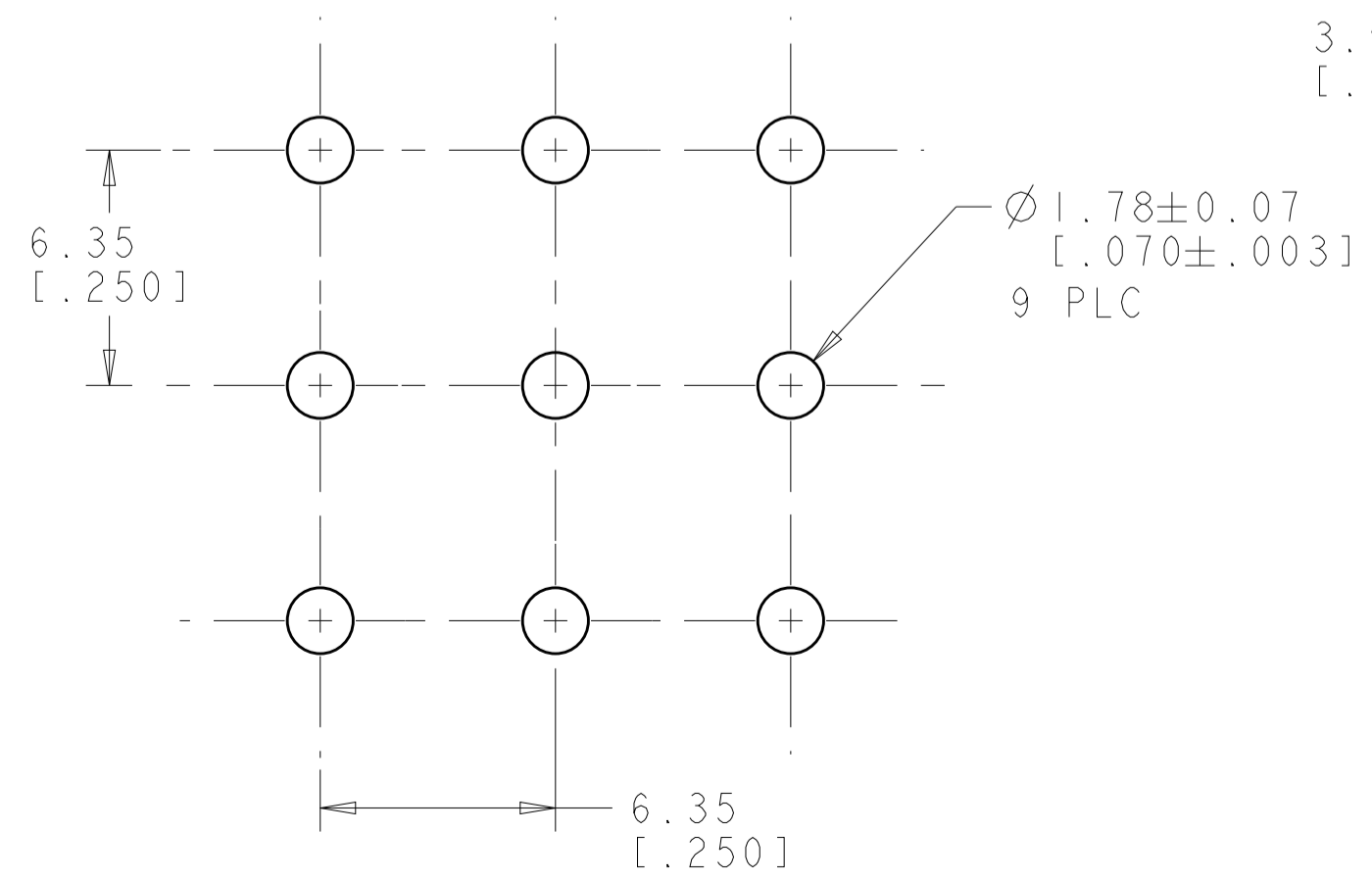
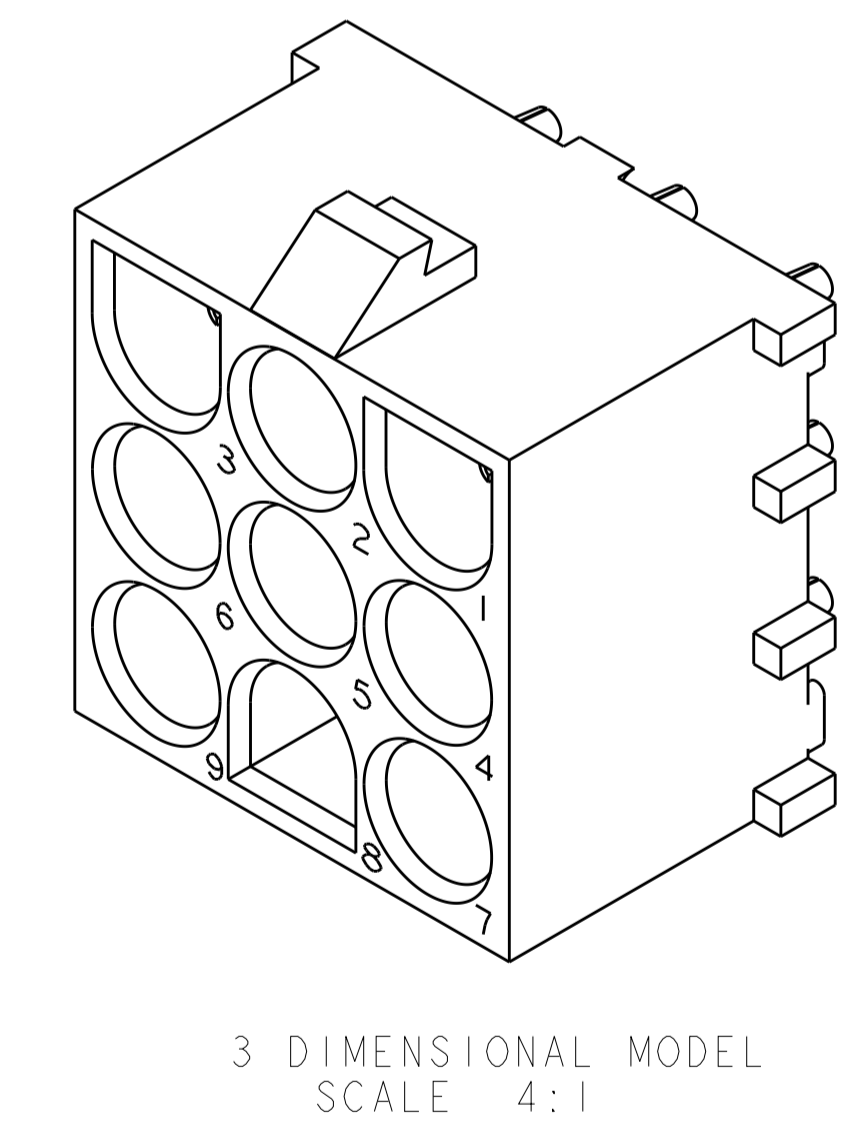
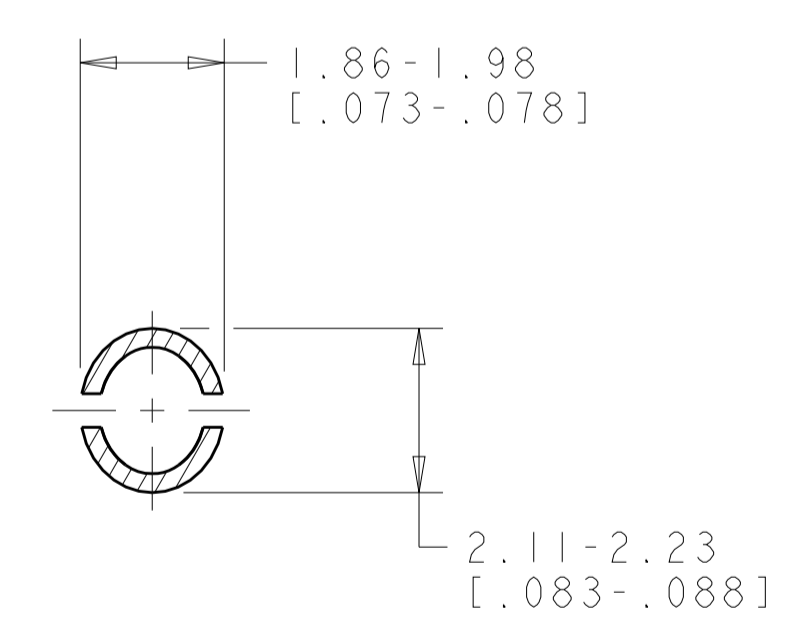
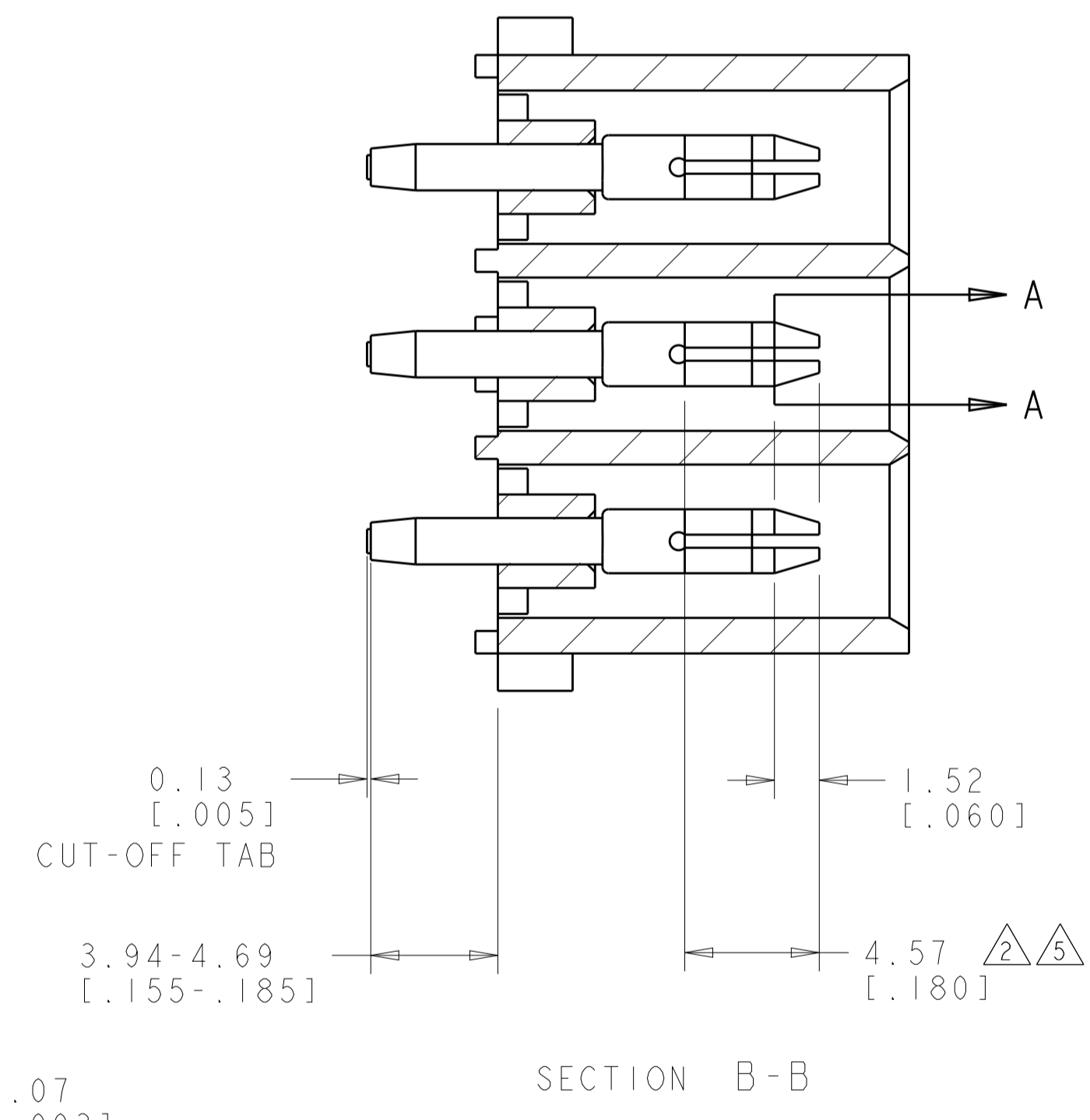


| LOC | | DIST | | REVISIONS | | | |
|-----|----|------|-----|---------------------------|-----------|-----|------|
| CM | 00 | P | LTN | DESCRIPTION | DATE | DWN | APVD |
| | | W2 | | REVISED PER ECR-12-011660 | 24JAN2013 | KH | TM |

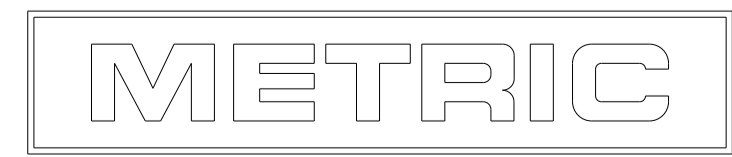


- PARTS COMPLY TO AMP SOLDERABILITY SPECIFICATION 109-11-3.
- CONTACT IS PLATED OVERALL WITH 0.00127 [.000050] NICKEL, THEN 0.00076 [.000030] GOLD OVER CONTACT LENGTH INDICATED AND TIN LEAD ON SOLDER TAIL END.
- MATES WITH HOUSING 480706.
- CIRCUIT IDENTIFICATION CHARACTERS ARE ADJACENT TO THE INDICATED CAVITIES, BUT LOCATION AND ORIENTATION MAY DIFFER FROM PRINT.
- CONTACT IS PLATED OVERALL WITH 0.00127 [.000050] NICKEL, THEN 0.00076 [.000030] GOLD OVER CONTACT LENGTH INDICATED AND MATTE TIN ON SOLDER TAIL END.
- DIMENSIONS IN BRACKETS ARE IN INCHES.
- SUPERSEDED BY 350432-4



RECOMMENDED MOUNTING HOLE PATTERN FOR 1.57 [.062] THICK P.C. BOARD

| | | |
|---------------------------------|----------------------------|-------------|
| PHOSPOR BRONZE, GOLD | NYLON, UL94V-2, NATURAL | 350432-4 |
| PHOSPOR BRONZE, GOLD | NYLON, UL94V-2, NATURAL | 350432-2 |
| PHOSPOR BRONZE, PRE-TIN | NYLON, UL94V-2, NATURAL | 350432-1 |
| PIN CONTACT MATERIAL AND FINISH | HOUSING MATERIAL AND COLOR | PART NUMBER |



| | | | |
|---|-------------------|---|-----------------|
| THIS DRAWING IS A CONTROLLED DOCUMENT. | | DWN: 19JULY2005 | TE Connectivity |
| DIMENSIONS: mm [INCHES] | | CHK: S. RIDGILL | |
| TOLERANCES UNLESS OTHERWISE SPECIFIED: | | APVD: S. RIDGILL | |
| 0 PLC ± 1 PLC ±0.131(.005) 2 PLC ± 3 PLC ± 4 PLC ± ANGLES ±40°/30° | | NAME: PIN HEADER ASSEMBLY, 9 CIRCUIT, UNIVERSAL MATE-N-LOK TM | |
| MATERIAL: SEE TABLE | FINISH: SEE TABLE | SIZE: A1 | RESTRICTED TO |
| CUSTOMER DRAWING | | SCALE: 5:1 | SHEET 1 OF 1 |